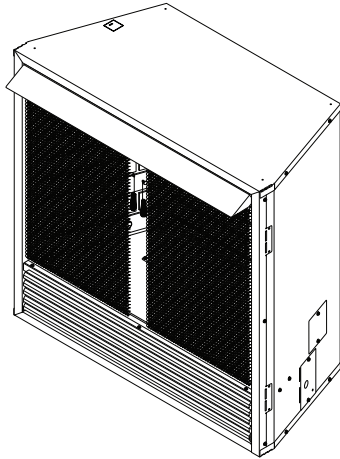




VENT-FREE GAS FIREBOX OWNER'S OPERATION AND INSTALLATION MANUAL

**MODELS
PC32VFC
PC36VFC**



⚠ WARNING: If the information in this manual is not followed exactly, a fire or explosion may result causing property damage, personal injury or loss of life.

- Do not store or use gasoline or other flammable vapors and liquids in the vicinity of this or any other appliance.
- **WHAT TO DO IF YOU SMELL GAS**
 - Do not try to light any appliance.
 - Do not touch any electrical switch; do not use any phone in your building.
 - Immediately call your gas supplier from a neighbor's phone. Follow the gas supplier's instructions.
 - If you cannot reach your gas supplier, call the fire department.
- Installation and service must be performed by a qualified installer, service agency or the gas supplier.

INSTALLER: Leave this manual with the appliance.
CONSUMER: Retain this manual for future reference.



Questions, problems, missing parts? Before returning to your retailer, call our customer service department at 1-866-573-0674, 7:30 am - 4:15 pm CST, Monday through Friday or email customerservice@usaprocom.com

TABLE OF CONTENTS

Safety	3	Installation	7
Qualified Installing Agency	4	Replacement Parts	11
Combustion And Make-Up Air	4	Technical Service.....	11
Specifications	5	Parts	12
Product Features	5	Accessories	13
Local Codes.....	6	Warranty	16
Unpacking.....	6		
Water Vapor: A By-Product Of Unvented Room Heaters	6		

SAVE THIS BOOK

⚠ WARNING: Improper installation, adjustment, alteration, service or maintenance can cause injury or property damage. Refer to this manual for correct installation and operational procedures. For assistance or additional information consult a qualified installer, service agency or the gas supplier.

FOR USE ONLY WITH A LISTED GAS-FIRED UNVENTED DECORATIVE ROOM HEATER NOT TO EXCEED 40,000 BTU/HR. DO NOT BUILD A WOOD FIRE.

Carefully review the instructions supplied with the decorative type unvented room heater for the minimum fireplace size requirement.

DO NOT INSTALL AN APPLIANCE IN THIS FIREBOX UNLESS THIS FIREBOX MEETS THE MINIMUM DIMENSIONS REQUIRED FOR THE INSTALLATION.

This firebox has been tested and approved under ANSI Z21.91 for use with any ANSI Z21.11.2 approved gas logs.

SAFETY

IMPORTANT: Read this owner's manual carefully and completely before trying to assemble, operate, or service this heater. Improper use of this heater can cause serious injury or death from burns, fire, explosion, electrical shock and carbon monoxide poisoning. Failure to follow these instructions will void the warranty.

Only a qualified installer, service agent, or local gas supplier may install and service this product.

⚠ WARNING: Keep the appliance area clear and free from combustible materials, gasoline, and other flammable vapors and liquids.

CARBON MONOXIDE POISONING: Early signs of carbon monoxide poisoning resemble the flu, with headaches, dizziness or nausea. If you have these signs, the heater may not be working properly. Get fresh air at once! Have heater serviced. Some people are more affected by carbon monoxide than others. These include pregnant women, people with heart or lung disease or anemia, those under the influence of alcohol and those at high altitudes.

⚠ WARNING: Any change to this heater or its controls can be dangerous.

⚠ WARNING: Do not allow fans to blow directly into fireplace. Avoid any drafts that alter burner flame patterns.

⚠ WARNING: Do not use a blower insert, heat exchange insert or other accessory not approved for use with this heater.

⚠ WARNING: Due to high temperatures, the appliance should be located out of traffic and away from furniture and draperies.

⚠ WARNING: Do not place clothing or other flammable material on or near the appliance. Never place any objects in the heater.

⚠ WARNING: Do not place any objects in the fireplace.

⚠ WARNING: Fireplace becomes very hot when running. Keep children and adults away from hot surfaces to avoid burns or clothing ignition. Fireplace will remain hot for a time after shutdown. Allow surfaces to cool before touching.

⚠ WARNING: Carefully supervise young children when they are in the room with the fireplace.

⚠ WARNING: You must operate this log set with fireplace screen and hood (if provided) in place.

Make sure these parts are in place and screens are closed before running firebox. The supplied hood must not be modified or replaced with a hood that may be provided with an unvented room heater (log set) selected.

SAFETY

1. Do not place Propane/LP supply tank(s) inside any structure. Propane/LP supply tank(s) must be placed outdoors.
2. This fireplace shall not be installed in a bedroom or bathroom.
3. Do not use this fireplace as a wood-burning fireplace. Use only decorative unvented logs approved for use with this fireplace.
4. Keep all air openings in front and bottom of fireplace clear and free of debris. This will ensure enough air for proper combustion.
5. Do not run fireplace:
 - Where flammable liquids or vapors are used or stored.
 - Under dusty conditions.
6. Before using furniture polish, wax, carpet cleaner, or similar products, turn fireplace off. If heated, the vapors from these products may create a white powder residue within burner box or on adjacent walls or furniture.
7. Do not use fireplace if any part has been under water due to shock hazard that could result from blower accessory (installed). Immediately call a qualified service technician to inspect the fireplace and to replace any part of the control system and any gas control which has been under water.
8. Turn off and unplug fireplace and let cool before servicing. Only a qualified service person should service and repair fireplace.
9. Operating fireplace above elevations of 4,500 feet could cause pilot outage.
10. To prevent performance problems, do not use propane/LP fuel tank of less than 100 lbs. capacity.
11. Do not add extra logs or ornaments such as pine cones, vermiculite, or rock wool. Using these added items can cause soot-ing. Do not add lava rock around base. Rock and debris could fall into the control area of fireplace. After servicing, always replace screen before operating fireplace.
12. Solid fuels should not be burned in fireplace in which a vent-free log set is installed. Do not use this fireplace to cook food or burn paper or other objects.
13. Use only provided hood.

QUALIFIED INSTALLING AGENCY

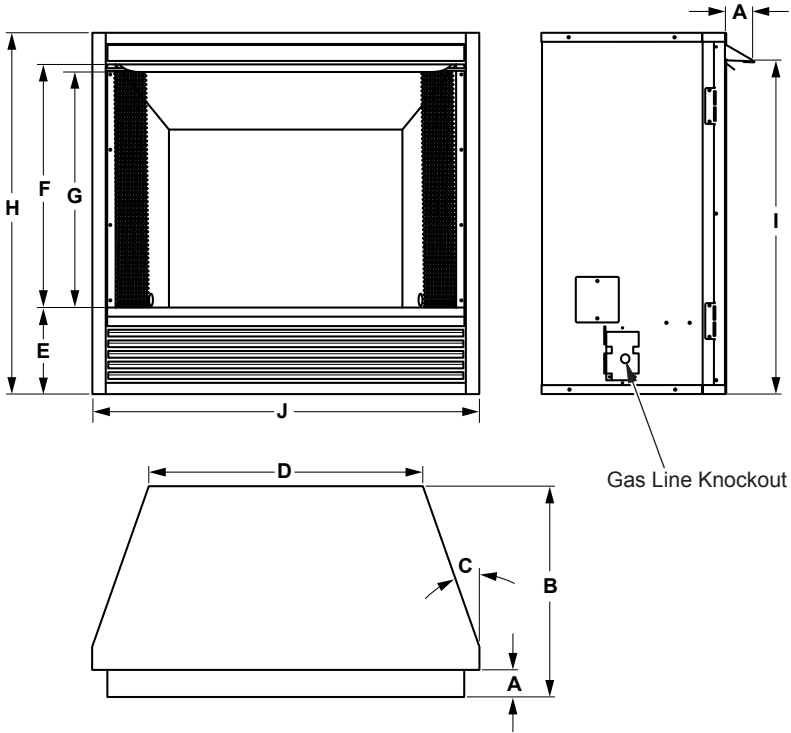
Only a qualified agency should install and replace gas piping, gas utilization equipment or accessories, and repair and equipment servicing. The term "qualified agency" means any individual, firm, corporation, or company that either in person or through a representative is engaged in and is responsible for:

- a) Installing, testing, or replacing gas piping or
- b) Connecting, installing, testing, repairing, or servicing equipment; that is experienced in such work; that is familiar with all precautions required; and that has complied with all the requirement of the authority having jurisdiction.

COMBUSTION AND MAKE-UP AIR

Follow the information concerning provisions for adequate combustion and venting located in the unvented room heater installation instructions.

SPECIFICATIONS



Model	A	B	C	D	E	F	G	H	I	J
PC32VFC	2 3/8"	18 1/2"	19°	24 1/16"	7 9/16"	21 3/8"	20 3/4"	31 3/4"	29 5/16"	34 1/4"
PC36VFC	2 3/8"	18 7/8"	25°	28 3/4"	6 5/8"	26 3/4"	25 5/16"	36 5/16"	33 5/8"	42 1/2"

PRODUCT FEATURES

This firebox is designed for use with approved ANSI Z21.11.2 decorative type unvented room fireplaces. (Physical size limitations apply. Refer to minimum firebox requirements supplied with log fireplace.) It requires no outside vent-

ing or chimney making installation easy and inexpensive. When used without the blower, the firebox requires no electricity making it ideal for emergency backup heat.

LOCAL CODES

Install and use heater with care. Follow all local codes. In the absence of local codes, use the latest edition of *The National Fuel Gas Code, ANSI Z223.1/NFPA 54**.

*Available from:

American National Standards Institute, Inc.
25 West 43rd Street
New York, NY 10036

National Fire Protection Association, Inc.
1 Batterymarch Park
Quincy, MA 02269-9101

This heater is designed for vent-free operation. State and local codes in some areas prohibit the use of vent-free heaters.

State of Massachusetts: The installation must be made by a licensed plumber or gas fitter in the Commonwealth of Massachusetts.

Sellers of unvented propane or natural gas-fired supplemental room heaters shall provide to each purchaser a copy of 527 CMR 30 upon sale of the unit.

In the State of Massachusetts the gas cock must be a T-handle type. The State of Massachusetts requires that a flexible appliance connector cannot exceed three feet in length.

UNPACKING

1. Remove the wrapping film around unit.
2. Remove the top packaging and 4 angle beads.
3. Remove protective plastic wrap.
4. Check all items for any shipping damage. If damaged, promptly inform dealer where you purchased the heater.

WATER VAPOR: A BY-PRODUCT OF UNVENTED ROOM HEATERS

Water vapor is a by-product of gas combustion. An unvented room heater produces approximately 1 ounce (30 ml) of water for every 1,000 BTUs (0.3 KWs) of gas input per hour. Unvented room heaters are recommended as supplemental heat (a room) rather than a primary heat source (an entire house). In most supplemental heat applications, the water vapor does not create a problem. In most applications, the water vapor enhances the low humidity atmosphere experienced during cold weather.

The following steps will help ensure that water vapor does not become a problem.

1. Be sure the heater is sized properly for the application, including ample combustion air and circulation air.
2. If high humidity is experienced, a dehumidifier may be used to help lower the water vapor content of the air.
3. Do not use an unvented room heater as the primary heat source.

INSTALLATION

NOTICE: This fireplace is intended for use as supplemental heat. Use this fireplace along with your primary heating system. Do not install this fireplace as your primary heat source. If you have a central heating system, you may run system's circulating blower while using fireplace. This will help circulate the heat throughout the house. In the event of a power outage, you can use this fireplace as your primary heat source.

⚠ WARNING: A qualified service person must install heater. Follow all local codes.

⚠ WARNING: Before installing in a solid fuel burning fireplace, the chimney flue and firebox must be cleaned of soot, creosote, ashes and loose paint by a qualified chimney cleaner. Creosote will ignite if highly heated. A dirty chimney flue may create and distribute soot within the house. Inspect chimney flue and firebox for damage. If damaged, repair flue before operating heater.

⚠ WARNING: Seal any fresh air vents or ash clean-out doors located on floor or wall of fireplace. If not, drafting may cause pilot outage or sooting. Use a heat-resistant sealant. Do not seal chimney flue damper.

⚠ WARNING: Never install the heater

- in a bedroom or bathroom
- in a recreational vehicle
- where curtains, furniture, clothing, or other flammable objects are less than 42" from the front, top, or sides of the heater
- in high traffic areas
- in windy or drafty areas

⚠ CAUTION: This heater creates warm air currents. These currents move heat to wall surfaces next to heater. Installing heater next to vinyl or cloth wall coverings or operating heater where impurities (such as tobacco smoke, aromatic candles, cleaning fluids, oil or kerosene lamps, etc.) in the air exist, may cause walls to discolor.

Note: This fireplace insert is designed to be used in zero clearance installations. Non-combustible materials can be placed directly against any exterior surface on the rear, sides, or top of your fireplace insert, except where standoff spacers are integrally attached. If standoff spacers are attached to your insert, these spacers can be placed directly against wall or framing materials.

IMPORTANT: Make sure the fireplace insert is level. If fireplace insert is not level, log set will not work properly.

IMPORTANT: Vent-free heaters add moisture to the air. Although this is beneficial, installing heater in rooms without enough ventilation air may cause mildew to form too much moisture. See *Air for Combustion and Ventilation* in your log heater owners manual.

INSTALLATION

CLEARANCES TO COMBUSTIBLES

⚠ WARNING: You must maintain the minimum clearances. If you can, provide greater clearances from floor, ceiling, and adjoining wall. Measure from outermost point of heater.

⚠ WARNING: Do not pack required air spaces with insulation or other materials.

Carefully follow the instructions below. This fireplace is designed to sit on an approved mantel base or installed in an existing fireplace. When firebox is installed directly on carpeting, tile or other combustible material, the firebox must be installed on a metal or wood panel extending the full width and depth of the fireplace.

Minimum Clearances For Side Combustible Material, Side Wall and Ceiling

IMPORTANT: You must maintain minimum wall and ceiling clearances during installation. The minimum clearances are shown in Figure 1. Measure from outermost point of fireplace.

- A. Clearances from outermost point of fireplace to any combustible side wall should not be less than 7".
- B. Clearances from the fireplace to the ceiling should not be less than 42".

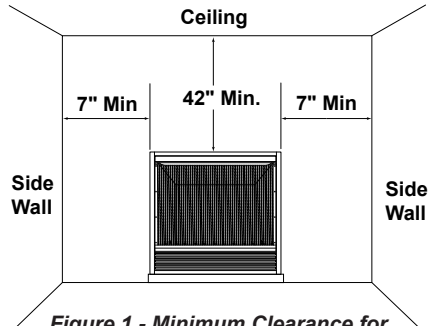


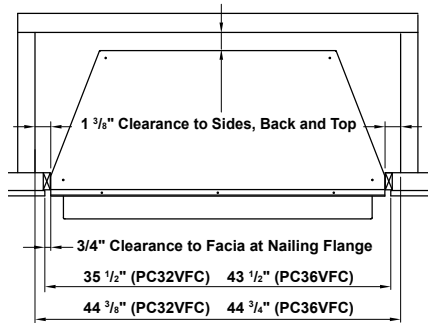
Figure 1 - Minimum Clearance for Combustible to Wall and Ceiling

BUILT-IN FIREPLACE INSTALLATION

⚠ WARNING: Do not allow any combustible materials to overlap the firebox front.

⚠ WARNING: Do not allow combustible or noncombustible materials to cover any necessary openings like louvered slots.

⚠ WARNING: Never modify or cover the louvered slots on the front of the firebox.



Note: Height of fireplace opening at fascia to be 32 1/2" (PC32VFC) and 36 1/4" (PC36VFC).

Figure 2 - Clearances to Combustibles

Built-in installation of this fireplace involves installing fireplace into a framed-in enclosure. This makes the front of the fireplace flush with wall. If installing a built-in mantel above the fireplace, you must follow the clearances shown in Figure 2.

INSTALLATION

NOTICE: Surface temperatures of adjacent walls and mantels become hot during operation. Walls and mantels above the fireplace may become hot to the touch. If installed properly, these temperatures meet the requirement of the national product standard. Follow all minimum clearances shown in this manual (see Figure 3).

1. Frame in rough opening. Use dimensions shown in Figure 4 for the rough opening. If installing in a corner, use dimensions shown in Figure 5 for the rough opening. The height is 23.66" (PC32VFC) and 28.11" (PC36VFC), which is the same as the wall opening above.
2. Carefully set firebox in front of rough opening with back of fireplace inside wall opening.
3. Install gas piping to firebox location. See Installing Gas Line, on page 9 and Connecting to Gas Supply in log set owner's manual.

IMPORTANT: When finishing your firebox, combustible materials such as plywood and wood framing must have 3/4" clearance to the sides and top of the firebox. Combustible materials should never overlap the firebox front facing. Noncombustible materials such as wall board, gypsum board, sheet rock may be placed at 0" clearance to the sides and top of the firebox.

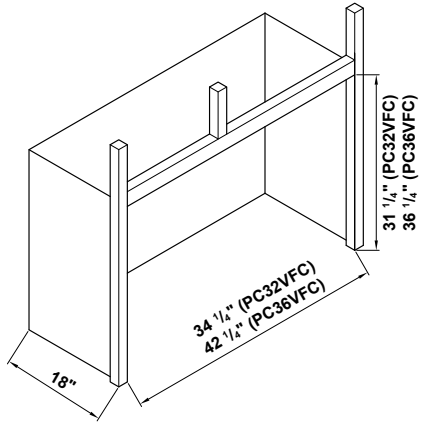


Figure 4 - Rough Opening for Installing in a Wall

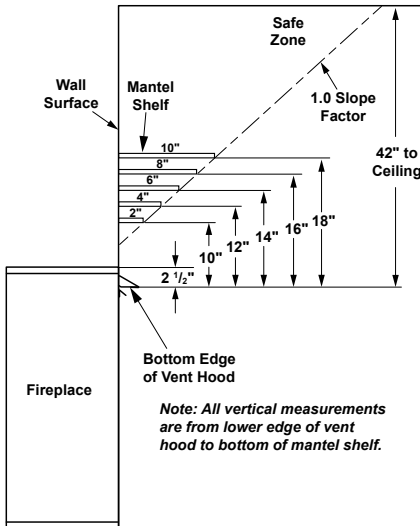


Figure 3 - Minimum Mantel Clearances for Built-In Installation

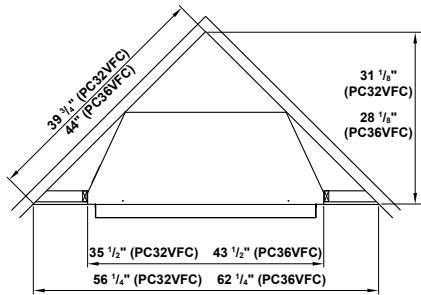


Figure 5 - Rough Opening for Installing in a Corner

INSTALLATION

INSTALLING HOOD

CAUTION: Do not operate fireplace without hood in place.

1. Align 3 holes in upper side of hood with holes in heat insulation board (see Figure 6).
2. Insert screwdriver through hole in top firebox panel to secure hood to heat insulation board with 3 screws (see Figure 6).

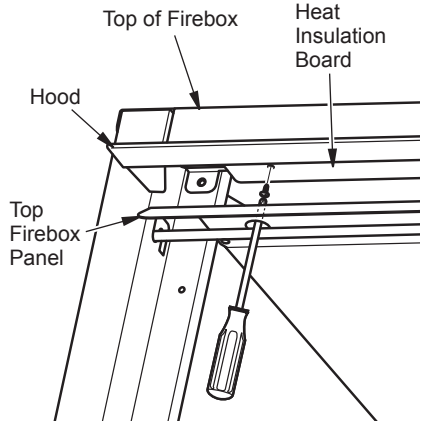


Figure 6 - Hood Installation

OPTIONAL ACCESSORY MANTEL

This firebox may be installed using a cabinet mantel accessory against a wall in your home. The firebox and cabinet mantel can be installed directly on the floor. Follow instructions with mantel for installation.

INSTALLING GAS LINE

WARNING: A qualified service person must connect heater to gas supply. Follow all local codes.

IMPORTANT: See *Connecting to Gas Supply* in your log set owner's manual for details on gas hookup.

You may run the gas line from either side of the firebox (see Figure 7). Decide which side you want to run the gas line from.

Note: This is one option for installing shutoff valve. Check local codes for equipment shutoff valve location requirements.

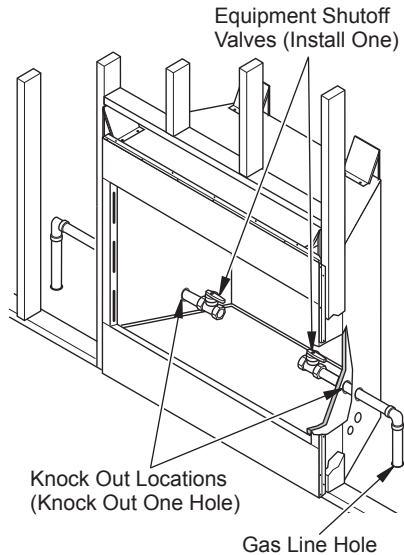



Figure 7 - Installing Gas Line and Equipment Shutoff Valve (Model May Vary From Illustration)

INSTALLATION

OPTIONAL BLOWER

 **WARNING: A qualified electrician must connect electrical wiring to duplex outlet for built-in installation. Follow all local codes.**

This fireplace can accept the optional blower and model FIB100.

If you plan to install or use the optional blower, a 120V AC with proper grounding electrical connection must be provided at time of installation.

In absence of local codes follow *The National Electric Code ANSI/NFPA 70*.

REPLACEMENT PARTS

Note: Use only original replacement parts. This will protect your warranty coverage for parts replaced under warranty.

PARTS UNDER WARRANTY

Contact authorized dealers of this product. If they can't supply original replacement parts, call Customer Service toll free at 1-866-573-0674 for referral information.

When calling Customer Service or your dealer, have ready:

- Your name
- Your address

- Model and serial number of your heater
- How heater was malfunctioning
- Type of gas used (Propane/LP or Natural gas/NG)
- Purchase date
- Usually, we will ask you to return the defective part to the factory

PARTS NOT UNDER WARRANTY

Contact authorized dealers of this product. If they can't supply original replacement part(s) call Customer Service toll free at 1-866-573-0674 for referral information.

When calling Customer Service have ready:

- Model number of your heater
- The replacement part number

TECHNICAL SERVICE

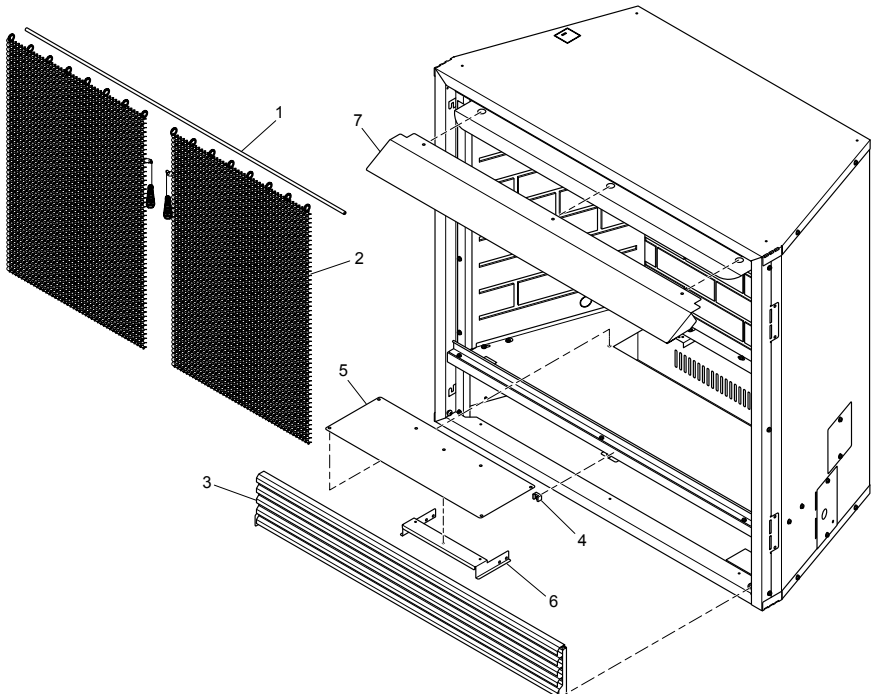
You may have further questions about installation, operation, or troubleshooting. If so, contact ProCom Heating, Inc. at 1-866-573-0674.

When calling, please have your model and serial numbers of your heater ready.

PARTS

MODELS PC32VFC AND PC36VFC

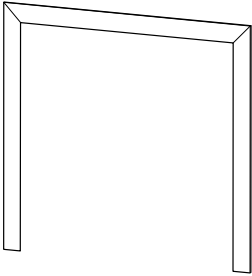
This list contains replaceable parts for your heater. When ordering replacement parts, follow the instructions listed under *Replacement Parts* on page 11 of this manual.



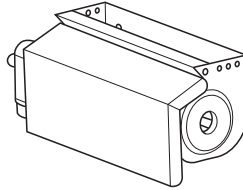
ITEM	PART NUMBER		DESCRIPTION	QTY
	PC32VFC	PC36VFC		
1	161628-01	161673-01	Screen Rod	1
2	161657-01	161700-01	Draw Screen	2
3	161678-01MB	161671-01MB	Louver Assembly	1
4	161730-01	161730-01	Magnet	1
5	161637-01HT	161637-01HT	Blower Fixing Panel	1
6	161636-01HT	161636-01HT	Blower Bracket	1
7	161635-01HT	161699-01HT	Hood	1

ACCESSORIES

Purchase heater accessories from your local dealer. If they can not supply accessories, contact ProCom Heating, Inc. at 1-866-573-0674 for information.



Trim Kit - TK32-100B
(PC32VFC Only)
Top Trim - 161291-01MB
Left/Right Trim - 161292-01MB



Blower Assembly - FIB100

NOTES

NOTES

WARRANTY

KEEP THIS WARRANTY

Model _____

Serial No. _____

Date Purchased _____

Keep receipt for warranty verification.

IMPORTANT: We urge you to fill your warranty registration card within TEN(10) days of date of installation, complete with the entire serial number which can be found on the rating plate. Retain this portion of the card for your record.

Always specify model and serial numbers when communicating with customer service.

We reserve the right to amend these specifications at any time without notice. The only warranty applicable is our standard written warranty. We make no other warranty, expressed or implied.

LIMITED WARRANTY:

ProCom Heating, Inc. warrants this product to be free from defects in materials and components for ONE (1) year from the date of first purchase, provided that the product has been properly installed, operated and maintained in accordance with all applicable instructions, to make a claim under this warranty, the Bill of Sale or cancelled check must be presented.

RESPONSIBILITY OF OWNER

This warranty is extended only to the original retail purchaser. This warranty covers the cost of part(s) required to restore this heater to proper operating condition. Warranty part(s) MUST be obtained through ProCom Heating, Inc. who will provide original factory replacement parts. Failure to use original factory replacement parts voids this warranty. The heater MUST be installed by a qualified installer in accordance with all local codes and instructions furnished with the unit.

WHAT IS NOT COVERED

This warranty does not apply to parts that are not in original condition because of normal wear and tear or parts that fail or become damaged as a result of misuse, accidents, lack of proper maintenance or defects caused by improper installation. Travel, diagnostic cost, labor, transportation and any and all such other costs related to repairing a defective heater will be the responsibility of the owner.

TO THE FULL EXTENT ALLOWED BY THE LAW OF THE JURISDICTION THAT GOVERNS THE SALE OF THE PRODUCT, THIS EXPRESS WARRANTY EXCLUDES ANY AND ALL OTHER EXPRESSED WARRANTIES AND LIMITS THE DURATION OF ANY AND ALL IMPLIED WARRANTIES. INCLUDING WARRANTIES OF MERCHANTABILITY AND FITNESS FOR A PARTICULAR PURPOSE TO ONE (1) YEAR ON ALL COMPONENTS FROM THE DATE OF FIRST PURCHASE. PROCOM HEATING, INC.'S LIABILITY IS HEREBY LIMITED TO THE PURCHASE PRICE OF THE PRODUCT AND PROCOM HEATING, INC. SHALL NOT BE LIABLE FOR ANY OTHER DAMAGES WHATSOEVER INCLUDING INDIRECT, INCIDENTAL OR CONSEQUENTIAL DAMAGES.

Some states do not allow a limitation on how long an implied warranty lasts or an exclusion or limitation of accidental or consequential damages, the above limitation on implied warranties, or exclusion or limitation on damages may not apply to you.

This warranty gives you specific legal right, and you may also have other rights that vary from state to state.



ProCom Heating, Inc.
Bowling Green, KY 42101
www.usaprocom.com
1-866-573-0674

200025-01
Rev. C
06/16